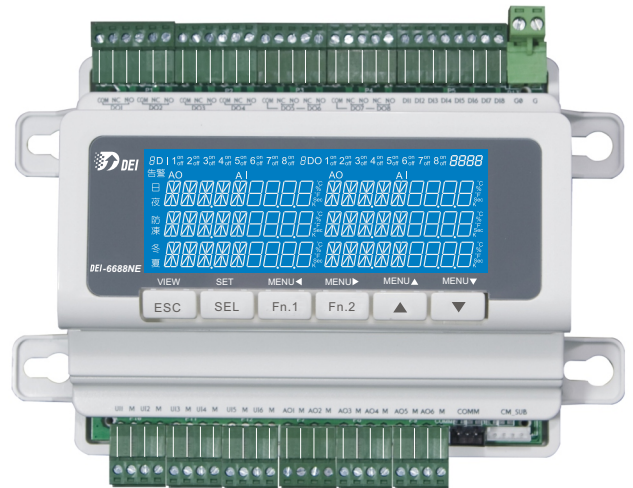
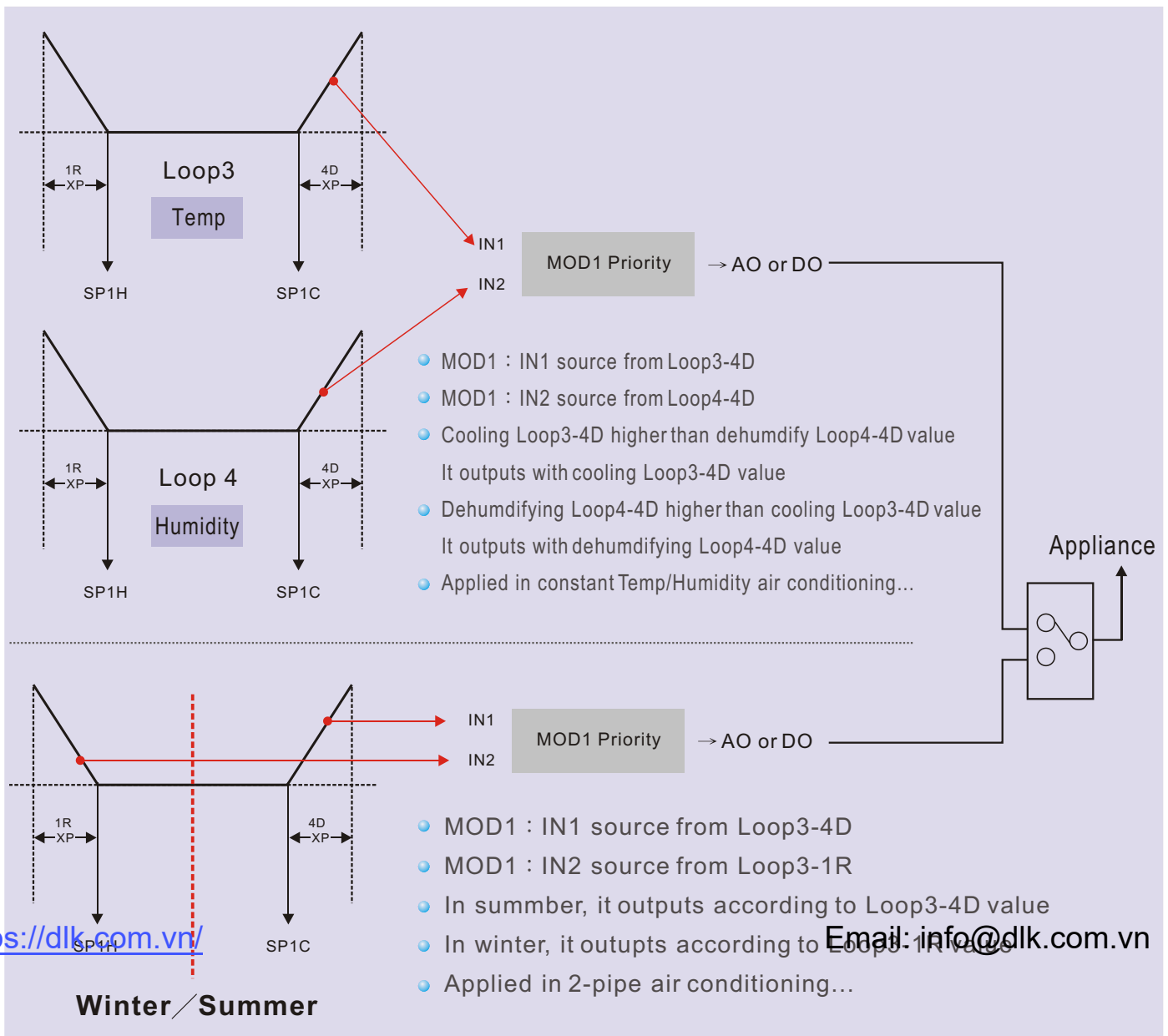


# Sophisticated & User Friendly



The most outstanding DDC 2-pipe cooling/heating/dehumidify outputs



# Full-Screen Display DDC -



- ⦿ All settings are done in the same page without turning to different pages.
- ⦿ Direct screen display with LCD blue backlight, user-friendly design.
- ⦿ Removable control panel makes monitor and control easier.

## Specification :

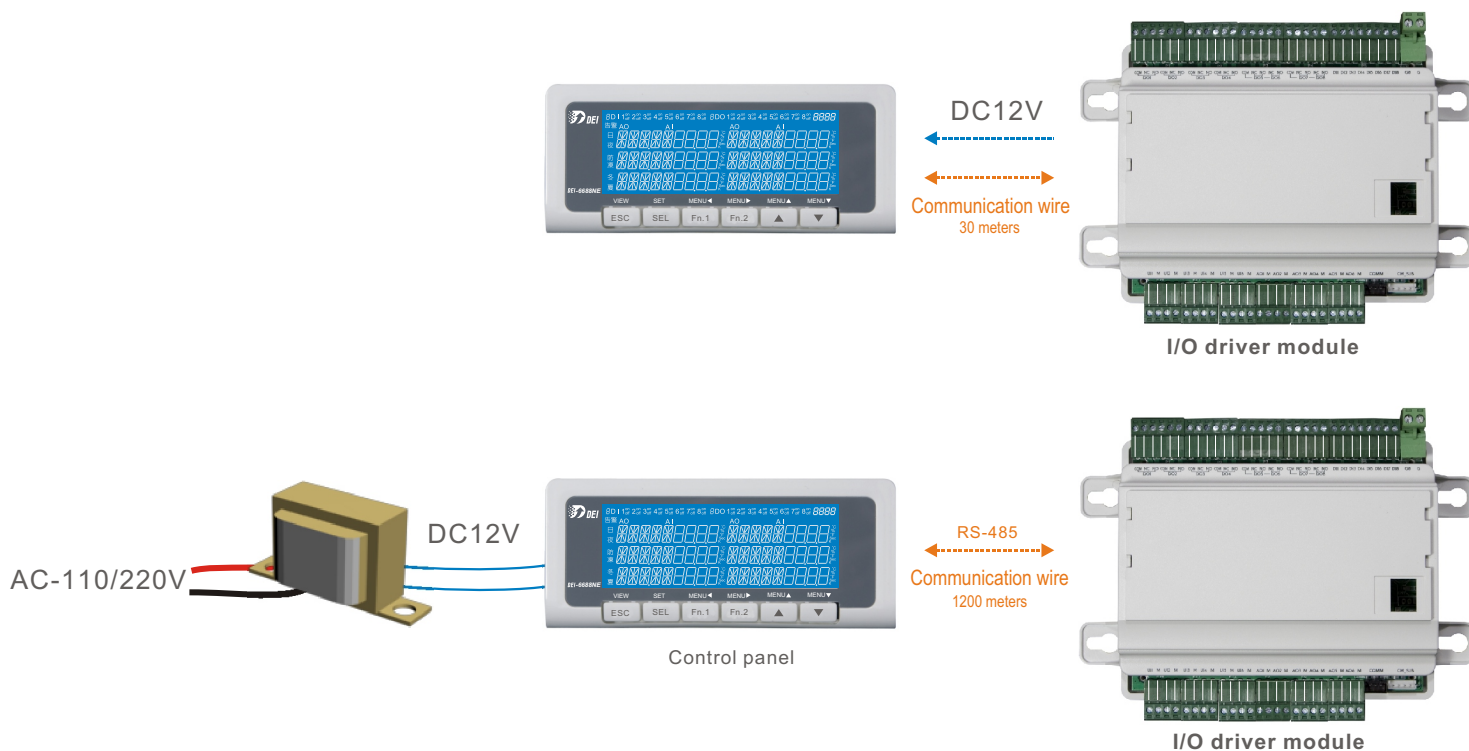
- Input power : AC24V±10% single phase 50/60Hz.
- P、PI、PID control logic.
- Unit selection : Temp °C, Temp °F, Humidity %, Number.
- RS-485 Modbus-RTU communication connector(PC), maximum distance 1200m.
- Suggest to use UL2464 24AWG 2C for communication connection.
- Built-in 8 different control logics, which enables an easy programming.
- Removable control panel, maximum distance 30m(With additional power supply to extend the distance to 1200m maximum).
- Failure, alarm and protection status input.
- Series connection of DEI-6688N is feasible.
- Inputs/Output :

**UI (Universal input) - 6 sets : DC 0V~10V, DC 4mA~20mA, Ni1000(Temp), Pt1000(Temp)  
 LG-Ni1000(Temp), NO/NC/button switch.**

AO (Analog output) - 6 sets : DC0V~10V, DC4mA~20mA.

DI (Digital input) - 8 sets : NO / NC / Button switch.

DO (Digital output) -8 sets : Relay3A/250VAC NO/NC.



## DDC Models

Output/Input Model Nbr	UI Universal Input	AO Analog Output	DI Digital Input	DO Digital Output	LOOP Control loop
DEI-2244N	2	2	4	4	2
DEI-2266N	2	2	6	6	2
DEI-2288N	2	2	8	8	4
DEI-3366N	3	3	6	6	3
DEI-3388N	3	3	8	8	3
DEI-4466N	4	4	6	6	4
DEI-4488N	4	4	8	8	4
DEI-6688N	6	6	8	8	4