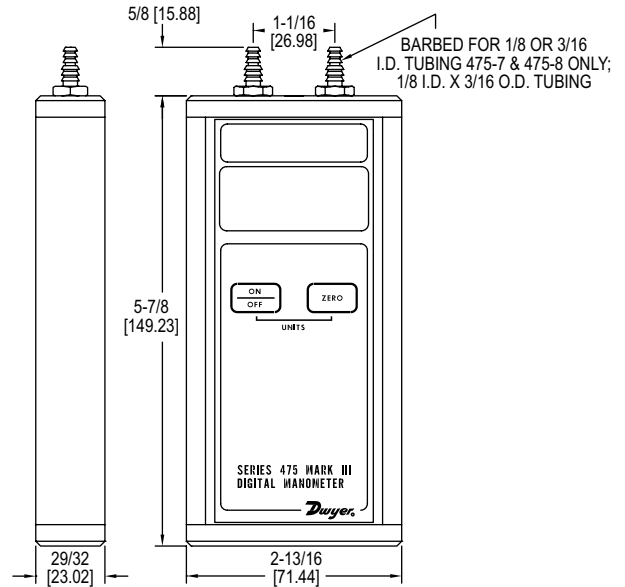


INTRINSICALLY SAFE HANDHELD DIGITAL MANOMETER

Ranges from 1 in w.c. to 150 psid, ±0.5% Accuracy

CALIBRATION SERVICES AVAILABLE



The **Series 475 Intrinsically Safe Handheld Digital Manometer** measures positive, negative, or differential pressures of air and natural gases in ranges from 1 in w.c. (0.249 kPa) to 150 psid (10.34 bar). The dual push pads on the front panel control the on/off, auto zero, and pressure unit selection, allowing for simple operation with no set up needed. When used with a Dwyer® Pitot tube (●), the Series 475 can also be used as an air velocity gage.

BENEFITS/FEATURES

- Rugged aluminum case protects instrument from damage during transport/use
- Large, easy to read LCD and simple operation
- FM approved to be intrinsically safe in hazardous locations, Class 1, Div 2, Groups A, B, C, D, T4 Ta = 70°C

APPLICATIONS

- Monitoring natural gas pressures on boilers and other combustion equipment
- Air velocity monitoring, when used with a Dwyer® Pitot tube (●) and AV calculator
- Field calibration of other instruments
- Monitoring or troubleshooting HVAC systems

MODEL CHART			
Model	English Range	Metric Range	Maximum Pressure
475-000-FM	0 to 1.000 in w.c.	.2491 kPa	5 psig
475-00-FM	0 to 4.000 in w.c.	0.996 kPa	5 psig
475-0-FM	0 to 10.00 in w.c.	2.491 kPa	5 psig
475-1-FM	0 to 20.00 in w.c.	4.982 kPa	10 psig
475-2-FM	0 to 40.00 in w.c.	9.96 kPa	10 psig
475-3-FM	0 to 200.0 in w.c.	49.82 kPa	30 psig
475-4-FM	0 to 10.00 psi	.6895 bar	30 psig
475-5-FM	0 to 20.00 psi	1.379 bar	60 psig
475-6-FM	0 to 30.00 psi	2.069 bar	60 psig
475-7-FM	0 to 100.0 psi	6.895 bar	150 psig
475-8-FM	0 to 150.0 psi	10.34 bar	200 psig

OPTIONS	
To order add suffix:	Description
-AV	Air velocity kit, includes the Series 475 manometer, two A-303 static pressure tips two 9' lengths 3/16" ID rubber tubing, no. 166-6-CF pitot tube, A-397 step drill, A-532 air velocity slide chart and instruction bulletin H-11, all packed in a tough, molded plastic carrying case with die cut foam liner.
-NIST	NIST traceable calibration certificate

Example: 475-1-AV

SPECIFICATIONS

Service: Air and compatible combustible gases.
Wetted Materials: Consult factory.
Accuracy: ±0.5% FS, 60 to 78°F (15.6 to 25.6°C); ±1.5% FS from 32 to 60°F and 78 to 104°F (0 to 15.6°C and 25.6 to 40°C).
Pressure Hysteresis: ±0.1% FS.
Pressure Limits: See chart.
Temperature Limits: 0 to 140°F (-17.8 to 60°C).
Compensated Temperature Limits: 32 to 104°F (0 to 40°C).
Storage Temperature Limits: -4 to 176°F (-20 to 80°C).
Display: 0.42" (10.6 mm) 4 digit LCD.
Resolution: See chart.
Power Requirements: 9 V alkaline battery, installed non-functional, user replaceable.
Process Connections: Two barbed connections for use with 1/8" (3.18 mm) or 3/16" (4.76 mm) ID tubing. Two compression fittings for use with 1/8" (3.18 mm) ID x 1/4" (6.35 mm) OD tubing for 475-7 & 475-8 only.
Weight: 10.8 oz (306 g).
Compliance: CE, FM approved to Class I, Div 2, Groups A, B, C, D, T4 Ta = 70°C.

ACCESSORIES	
Model	Description
A-402A	Carrying case, tough gray nylon pouch protects any Series 475 manometer, double zippered for quick and easy access, belt loop that snaps closed, 7-1/2"H x 3"W x 2-1/4"D (191 x 76 x 57 mm)
A-47X-BOOT	Protective magnetic rubber boot



● Pitot tube: See pages 201-234 (Air Quality section)
 Process Tubing Options: See page 453 (Gage Tubing Accessories)