



## KTM-800 Series

Electromagnetic Flow meter  
with Incomparable Performance

### FEATURE

- CE - LVD(2014/35/EC), EMC(2014/30/EU), RoHS(2011/65/EU)
- Ingress Protection : IP 67
- Capable of measuring flows in both directions
- No maintenance is necessary because no driving parts, impediments, or wear.
- PFA or PTFE liners with high chemically durability is used
- High durability to most of corrosive or abrasive fluids
- Able to apply various electrodes to the sensor
- Provides superb stability and accuracy for a long time
- Applicable to fluids with low conductivity
- Housing material can be chosen
- Maintains a stable accuracy even at a site with a high level of noise and vibration

### APPLICATIONS

- ▶ Chemical and Other Process Industries
  - Injecting fibric products with adhesiveness
  - Emulsified liquid including latex and emulsion.
- ▶ Food and Beverage
  - Hygienic blending, injection, and quantitative distribution
  - Cream and dairy products (e.g. fat, milk, cheese, yogurt with particles of fruit)
- ▶ Mineral and Mining
  - Similar in use to a cement
- ▶ Water resources
  - Water mixed with fat, oil, and grease
- ▶ Paper business
  - Fibric products in chemically aggressive nature
- ▶ Pharmaceutical Industry

<https://dlk.com.vn/>

Email: [info@dlk.com.vn](mailto:info@dlk.com.vn)

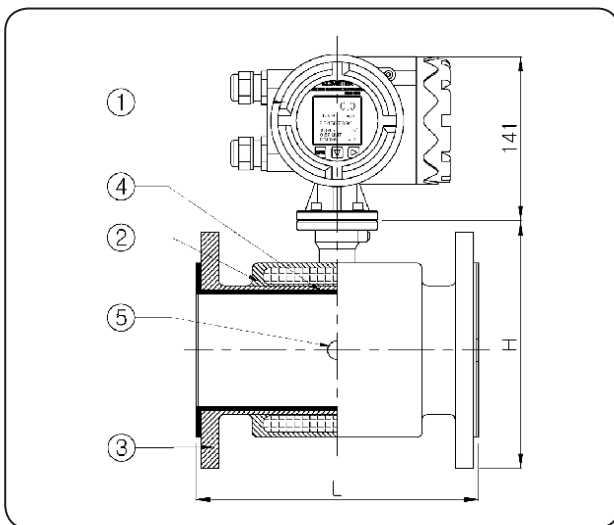


## KTM-800 General Specifications



|                            |   |
|----------------------------|---|
| <b>Size</b>                | 10A (3/8") - 2000A (80")  |
| <b>Process Connection</b>  | Flange type - Standard JIS10K RF<br>(Option. ANSI 150#, DIN 16 bar)                     |
| <b>Measuring Range</b>     | 0.028 m <sup>3</sup> /h – 113040.0 m <sup>3</sup> /h                                    |
| <b>Flow Velocity</b>       | 0.1 m/s – 10 m/s  |
| <b>Accuracy</b>            | ±0.5 % R.D (0.3 m/s ~ 10 m/s)<br>±1.0 % R.D (0.01 m/s ~ 0.3 m/s)                        |
| <b>Fluid Temperature</b>   | PTFE (-10 °C ~ 160 °C)<br>Hard rubber (-10 °C ~ 70 °C)<br>CR (-10 °C ~ 150 °C) - Option |
| <b>Ambient Temperature</b> | -10 °C ~ 60 °C  |
| <b>Conductivity</b>        | Over 5 μs / cm  |
| <b>Power Supply</b>        | AC 85-250 V (50~60) Hz<br>DC 24 V – (Option)<br>Battery (Option), Battery Life 2 year   |
| <b>Power Consumption</b>   | 15 VA   |
| <b>Display</b>             | LCD Display<br>Flowrate : 5-digit Display<br>Total : 9-digit Display / With Back light  |
| <b>Output</b>              | Analog : DC 4-20 mA<br>Pulse : DC (8~30) V (Open collector pulse)<br>Digital : RS-485   |
| <b>Protection Class</b>    | IP67  |

### STRUCTURAL DRAWING



### STANDARD MATERIAL

| No. | Description | Material               |  |
|-----|-------------|------------------------|--|
|     |             | Normal                 | Option   |
| 1   | Indicator   | CAST ALUMINUM          |  |
| 2   | Housing     | CARBON STEEL           | SUS304   |
| 3   | Flange      | CARBON STEEL           | SUS304   |
| 4   | Lining      | PFA(PTFE), Hard Rubber |  |
| 5   | Electrode   | 316LSS                 | Platinum<br>Titanium<br>Tantalum<br>Hasteloy-C |

<https://dlk.com.vn/>

Email: [info@dlk.com.vn](mailto:info@dlk.com.vn)



## FLOW RANGES & DIMENSIONS



| Size  |        | Flow range (m <sup>3</sup> /h) |          | Dimensions (mm) |        | Weight (kg) |         |
|-------|--------|--------------------------------|----------|-----------------|--------|-------------|---------|
|       |        | 0.1 (m/s)                      | 10 (m/s) | L               | H      | KTM-800     | KTM-900 |
| 10A   | 3/8B   | 0.028                          | 2.826    | 200             | 130    | 6           | 4       |
| 15A   | 1/2B   | 0.063                          | 6.358    | 200             | 132.5  | 6           | 4       |
| 20A   | 3/4B   | 0.113                          | 11.304   | 200             | 137.5  | 6           | 4       |
| 25A   | 1B     | 0.176                          | 17.662   | 200             | 145    | 7           | 5       |
| 32A   | 1-1/4B | 0.289                          | 28.938   | 200             | 162.5  | 9           | 7       |
| 40A   | 1-1/2B | 0.452                          | 45.216   | 200             | 172.5  | 10          | 8       |
| 50A   | 2B     | 0.706                          | 70.650   | 200             | 187.5  | 12          | 10      |
| 65A   | 2-1/2B | 1.194                          | 119.398  | 200             | 202.5  | 17          | 15      |
| 80A   | 3B     | 1.808                          | 180.864  | 200             | 220    | 17          | 15      |
| 100A  | 4B     | 2.82                           | 282.60   | 250             | 230    | 22          | 20      |
| 125A  | 5B     | 4.41                           | 441.56   | 250             | 270    | 24          | 22      |
| 150A  | 6B     | 6.35                           | 635.85   | 300             | 302.5  | 35          | 33      |
| 200A  | 8B     | 11.30                          | 1130.40  | 350             | 352.5  | 45          | 43      |
| 250A  | 10B    | 17.66                          | 1766.25  | 400             | 407.5  | 84          | 82      |
| 300A  | 12B    | 25.43                          | 2543.40  | 500             | 460    | 102         | 100     |
| 350A  | 14B    | 34.61                          | 3461.85  | 500             | 517.5  | 123         | 121     |
| 400A  | 16B    | 45.21                          | 4521.60  | 600             | 572.5  | 147         | 145     |
| 450A  | 18B    | 57.22                          | 5722.65  | 600             | 622.5  | 212         | 207     |
| 500A  | 20B    | 70.6                           | 7065.0   | 600             | 675    | 229         | 210     |
| 600A  | 24B    | 101.7                          | 10173.6  | 600             | 745    | 252         | 250     |
| 700A  | 28B    | 138.4                          | 13847.4  | 700             | 892    | 352         | 350     |
| 800A  | 32B    | 180.8                          | 18086.4  | 800             | 1002.5 | 462         | 460     |
| 1000A | 40B    | 282.6                          | 28260.0  | 1000            | 1182.5 | 690         | 680     |
| 1200A | 48B    | 406.9                          | 40964.4  | 1200            | 1397.5 | 787         | 782     |
| 1400A | 56B    | 553.8                          | 55389.6  | 1400            | 1610   | 1260        | 1252    |
| 1600A | 64B    | 723.4                          | 72345.6  | 1600            | 1810   | 1500        | 1552    |
| 1800A | 72B    | 915.6                          | 92562.4  | 1800            | 2017.5 | 1700        | 2082    |
| 2000A | 80B    | 1130.4                         | 113040.0 | 2000            | 2227.5 | 2000        | 2100    |

<https://dlk.com.vn/>

Email: [info@dlk.com.vn](mailto:info@dlk.com.vn)

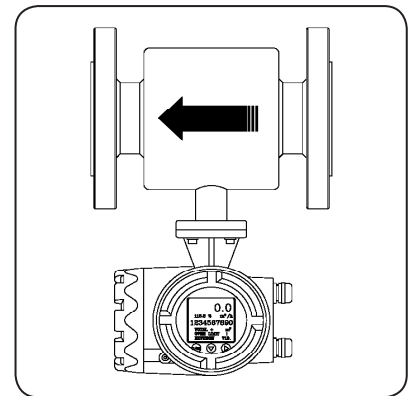
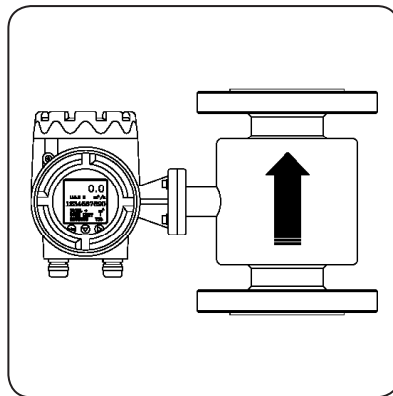
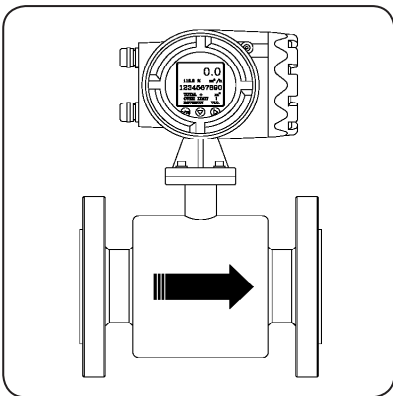


## DRAWING OF INSTALLATION

✓ In order to measure the flow accurately, it is necessary to have more than 5D in the front end and 3D in the rear end.

|                        |  |
|------------------------|--|
| By pass                |  |
| Tee                    |  |
| 90° Bend               |  |
| horizontality          |  |
| Reducer/Expansion pipe |  |

## MOUNTING POSITION OF LCD DISPLAY



<https://dlk.com.vn/>

Email: [info@dlk.com.vn](mailto:info@dlk.com.vn)