



## KTR-550-F Series

Turbine Flow meter Reliable  
Measurement and Cost-effective

### FEATURE

- CE - LVD(2014/35/EC), EMC(2014/30/EU), RoHS(2011/65/EU)
- Flange type or screw (male or female) type is selectively available.
- Relatively low cost
- DC / AC power type or battery type is selectively available
- Wide range of application to fluids at low temperature to high temperature
- Applicable to varied fluids such as liquids, gases, etc.
- Capable of providing outputs of varied signals outward
- Can be freely installed horizontally and vertically
- Can be manufactured from small to large diameter

### APPLICATIONS

- ▶ General industry
- Utility Use : Auxiliary and supply lines used in energy distribution
- ▶ Chemical and Other Process industry
- Condensate and Coolant
- Batching and mixing in the reactor
- ▶ Machinery and Equipment (OEM industry)
- Coolant, Coolant, Lubricant, Air supply
- ▶ Paper and Pulp industries
- ▶ Iron and Metal Processing field

<https://dlk.com.vn/>

Email: [info@dlk.com.vn](mailto:info@dlk.com.vn)



## KTR-550-F Series General Specifications

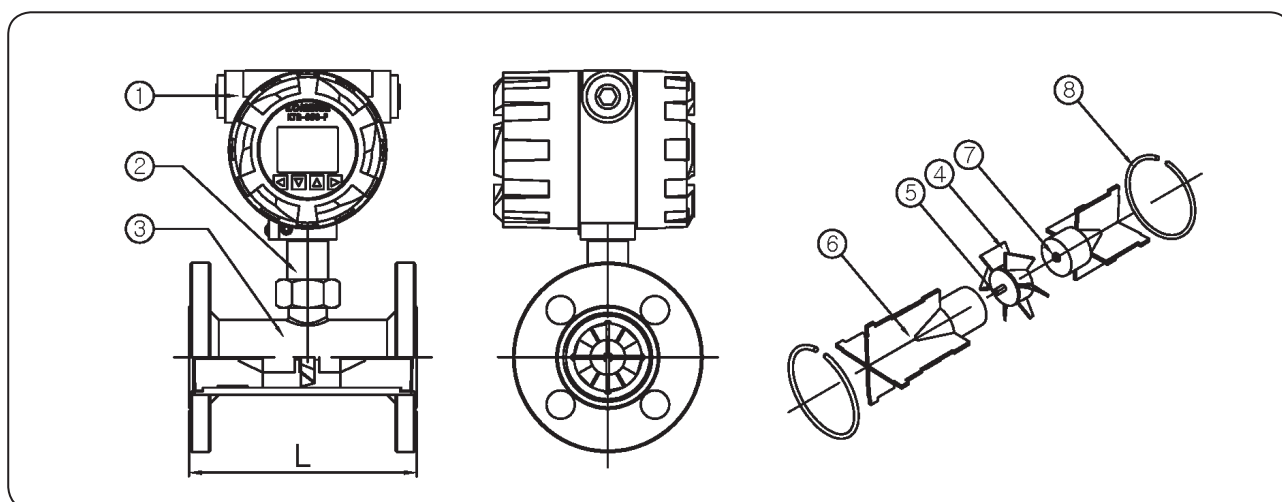
<b>Size</b>	6A (1/4") - 250A (10")
<b>Process Connection</b>	Flange type - KS / JIS / ANSI / ASME / DIN Std. Taper Pipe Thread type (PT)
<b>Measured Fluid</b>	Gas and Liquid
<b>Flow Ranges</b>	Water - 0.04 m <sup>3</sup> /h ~ 1000 m <sup>3</sup> /h Air - 0.7 Nm <sup>3</sup> /h ~ 500 Nm <sup>3</sup> /h
<b>Accuracy</b>	±0.5 % F.S (Option ±0.2 % F.S)
<b>Fluid Temperature</b>	-20 °C ~ 120 °C (Option -200 °C ~ 450 °C)
<b>Ambient Temperature</b>	-25 °C ~ 60 °C
<b>Max. Pressure</b>	Under 1B - Max. 350 kgf/cm <sup>2</sup> .G More than 1-1/2B - Max. 60 kgf/cm <sup>2</sup> .G
<b>Power Supply</b>	AC 220 V / DC 24 V / 3.6 V battery
<b>Display</b>	3-1/2 LCD (Flow rate), 7 Digit LCD (Integration)
<b>Output</b>	DC 4-20 mA, Pulse RS-485, Contact 2P High, Low
<b>Explosion Proof Class</b>	Ex d IIC T5
<b>Ingress Protection Grade</b>	IP67

## MODEL CODE

K T R - 5 5 0	-	□	-	□	Specification
		S			Output DC 4-20 mA without Indicator
		F			AD 110/220V or DC 24V (4-Wire) type with Indicator
		MF			3.6 V battery type with Indicator
				F	Connection - Flange Type
				T	Connection - Screw Type (Male, Female)



## STRUCTURAL DRAWING



## FLOW RANGE & DIMENSIONS

Size		L (mm)	Flow ranges	
			Water(m <sup>3</sup> /h)	Air(Nm <sup>3</sup> /h)
6A	1/8B	150	0.04 – 0.4	–
8A	1/4B	150	0.06 – 0.6	–
10A	3/8B	150	0.12 – 1.2	–
15A	1/2B	150	0.3 – 4	0.7 – 7
20A	3/4B	150	0.6 – 6	–
25A	1B	150	0.6 – 10	4 – 40
32A	1-1/4B	150	1.5 – 15	–
40A	1-1/2B	150	1.5 – 20	8 – 80
50A	2B	150	2 – 40	16 – 160
65A	2-1/2B	200	5 – 60	–
80A	3B	200	5 – 100	34 – 340
100A	4B	220	15 – 200	50 – 500
125A	5B	250	25 – 250	–
150A	6B	300	30 – 300	–
200A	8B	360	50 – 500	–

<https://dlk.com.vn/>

Email: [info@dlk.com.vn](mailto:info@dlk.com.vn)



## STANDARD MATERIAL

No.	Description	Material	
		Normal	Option
1	Indicator	ADC12	
2	Pickup case	ADC12	
3	Body	304SS	316SS
4	Rotor	CD4MCH	
5	Rotor shaft	TUNGSTEN CARBIDE	316LSS
6	Support	304SS	316SS
7	Bushing	TUNGSTEN CARBIDE	HIGH DENSITY PLASTIC
8	Retaining ring	304SS	316SS



## STRAINER

Turbine size	Strainer mesh	Clearance
3/8"	60	0.0092
1/2"	60	0.0092
1"	60	0.0092
1-1/2"	40	0.0340
2"	30	0.0650
2-1/2"	30	0.0650
3"	20	0.0900
4"	20	0.0900
6"	10	0.1875
8"	8	0.1875

## CAUTION

This flowmeter should be checked for foreign objects before installation. If there is foreign material, you must install Strainer in order to rotate Turbine smoothly. The straight pipe sections maintain the front end 10D and the rear end 5D so that fluid can flow stably. Also, avoid excessive vibrations or shocks as this may deteriorate the life or performance of the instrument.

## INSTALLATION PRECAUTIONS

