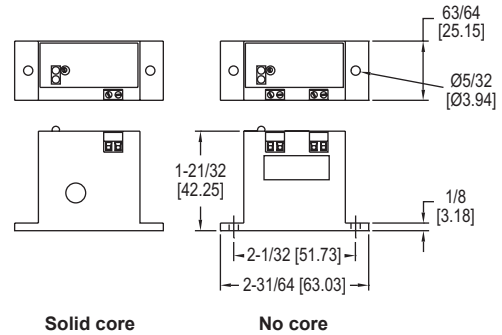
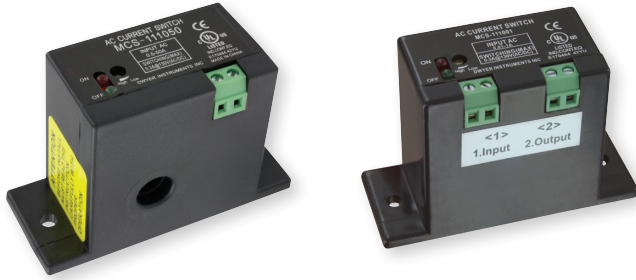


MINIATURE CURRENT SWITCHES

Low Cost, Solid or No Core, LED Confirmation, Adjustable Set Point



The **Series MCS Miniature Current Switches** are ideal for monitoring the current usage in fuse boxes and small control panels. Both models have adjustable set points and LED indication to show there is power to the unit and when the switch activates. Set points can be adjusted using the potentiometer next to the LED's. Due to the size of the switch, it is only offered in solid core and no core versions. The no core version has terminal blocks which can accept currents up to 1 A directly into the unit.

BENEFITS/FEATURES

- Integral mounting flange for quick installation
- Compact size fits in any space

APPLICATIONS

- BAS
- HVAC

SPECIFICATIONS

Amperage Range: MCS-111050: 0.5 to 50 AAC continuous; MCS-111001: 0.01 to 1 AAC continuous.
Output Rating: Isolated, N.O. 0.3 A @ 130 V DC/AC.
Power Requirements: None, self-powered.
Hysteresis: 1%.
Response Time: <200 ms.
Temperature Limits: 32 to 122°F (0 to 50°C).
Humidity Limits: 10 to 95% RH (non-condensing).
Enclosure Rating: UL 94 V-0 flammability rated ABS, insulation class 600 V.
Weight: 0.5 oz (14.5 g).
Agency Approvals: CE, cULus.

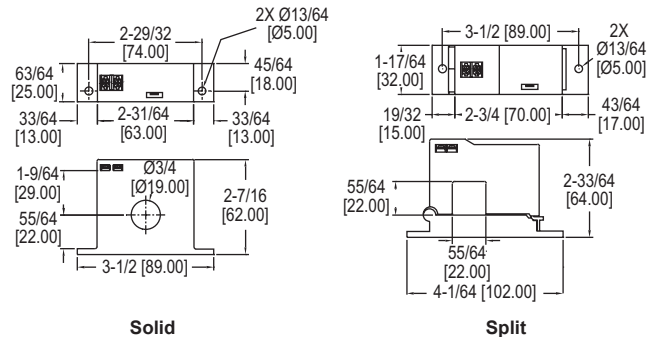
MODEL CHART

Model	Case	Set Point	Minimum Set Point	LED
MCS-111050	Solid core	Adjustable	0.50	Red/veen
MCS-111001	No core (terminal connection)	Adjustable	0.01	Red/green

SERIES CCS

CURRENT SWITCHES

Solid or Split Core, LED Visual Confirmation, Fixed or Adjustable Set Point



The **Series CCS Current Switches** are ideal for monitoring the operating status of fans, pumps, and motors. These self-powered switches can be hung or tied directly to cables or wires. For use on existing installations, split core models can be installed without disconnecting cables. LED indicators provide a visual confirmation that the current is flowing through the core. Both fixed and adjustable set points are available. The adjustable models utilize a potentiometer to easily adjust the set point.

BENEFITS/FEATURES

- Integral mounting flange for quick installation
- Solid core or split core configurations
- LED indicator
- Fixed and adjustable set points

APPLICATIONS

- Proof of installation/flow
- Monitoring
- Lighting and heating circuits
- Conveyors

SPECIFICATIONS

Amperage Range: 0 to 200 AAC.
Maximum Switch Rating: For dry contact models: 0.3 A @ 135 VAC/DC; For non-dry contact models: 1 A @ 240 VAC.
Power Requirements: None, self-powered.
Temperature Limits: -22 to 158°F (-30 to 70°C).
Humidity Limits: 0 to 95% (non-condensing).
Isolation Voltage: 2000 V.
Frequency: 40 to 400 Hz.
Enclosure Rating: UL 94 V-0 flammability rated, ABS plastic housing.
Agency Approvals: CE, cULus.

MODEL CHART

Model	Case	Set Point	Minimum Set Point (A)	LED	Dry Contact Output
CCS-121050	Solid core	Fixed	0.50 (±0.2)	Red	Yes
CCS-111100	Solid core	Adjustable	1.00 (±0.2)	Red/green	No
CCS-221100	Split core	Fixed	1.00 (±0.2)	Red	Yes
CCS-211150	Split core	Adjustable	1.50 (±0.2)	Red/green	No
CCS-131100	Solid core	Adjustable	1.00 (±0.2)	Red/green	Yes
CCS-231150	Split core	Adjustable	1.50 (±0.2)	Red/green	Yes