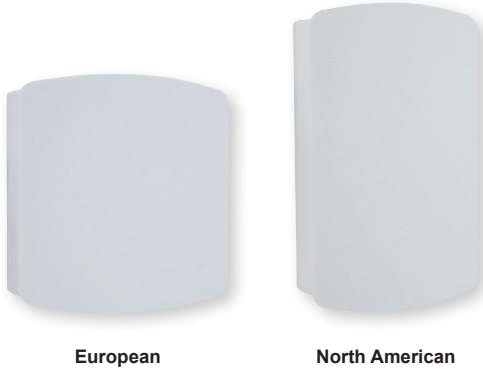




SERIES TE-E/N

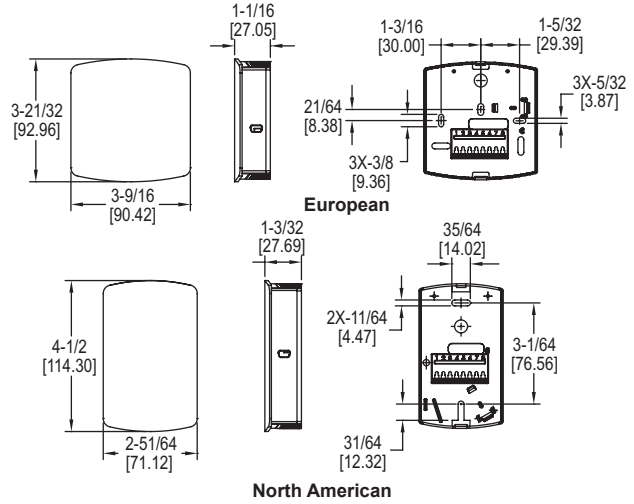
WALL MOUNT TEMPERATURE SENSORS

Discrete Wall Mount Housing



European

North American



The **Series TE-E/N Wall Mount Temperature Sensors** provide a low cost temperature input for any building management system.

BENEFITS/FEATURES

- North American or European housing aesthetic options
- Uniform look matches other Dwyer wall mount devices
- Universal mounting plate meets various installation requirements

APPLICATIONS

- Building automation
- Room temperature monitoring

SPECIFICATIONS

Accuracy: Thermistor temp sensor: $\pm 0.22^{\circ}\text{C}$ @ 25°C ($\pm 0.4^{\circ}\text{F}$ @ 77°F); RTD temp sensor: DIN class B; $\pm 0.3^{\circ}\text{C}$ @ 0°C ($\pm 0.54^{\circ}\text{F}$ @ 32°F).
Temperature Limits: -40 to 140°F (-40 to 60°C).
Housing Material: ABS plastic.
Weight: 0.3 lb (136 g).

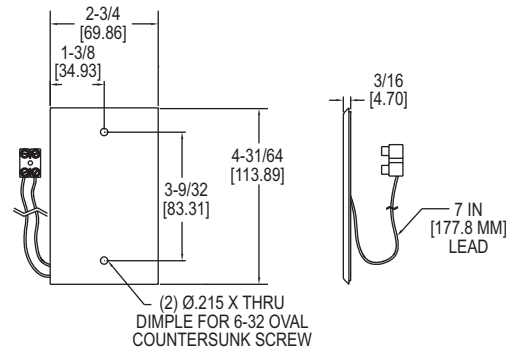
MODEL CHART

North American Model	Sensor Type	European Model	Sensor Type
TE-NND-A	10k Ω type III thermistor	TE-END-A	10k Ω type III thermistor
TE-NND-B	10k Ω type II thermistor	TE-END-B	10k Ω type II thermistor
TE-NND-C	3k Ω thermistor	TE-END-C	3k Ω thermistor
TE-NND-D	Pt100 Ω RTD	TE-END-D	Pt100 Ω RTD
TE-NND-E	Pt1000 Ω RTD	TE-END-E	Pt1000 Ω RTD
TE-NND-F	20k Ω thermistor	TE-END-F	20k Ω thermistor
TE-NND-Q	10k Ω type III with 11 k Ω shunt		

SERIES TE-WSS

STAINLESS STEEL WALL PLATE TEMPERATURE SENSOR

Screw Terminal Connection, Suitable for Wash Down Applications



The **Series TE-WSS Stainless Steel Wall Plate Temperature Sensor** measures the ambient air temperature in classrooms and industrial environments.

BENEFITS/FEATURES

- SS flush plate design
- Standard single gang junction box cover plate mounting

APPLICATIONS

- Building automation
- Room temperature monitoring
- Wash down environments

SPECIFICATIONS

Accuracy: Thermistor: $\pm 0.22^{\circ}\text{C}$ @ 25°C ($\pm 0.4^{\circ}\text{F}$ @ 77°F); RTD: DIN Class B $\pm 0.3^{\circ}\text{C}$ @ 0°C .
Temperature Limits: Operating -40 to 140°F (-40 to 60°C).
Sensor Curves: See page reference 1 below.
Housing Material: 304 SS wall plate.
Weight: 2.3 oz (65 g).

MODEL CHART

Model	Sensor Type
TE-WSS-A	10k Ω type III thermistor
TE-WSS-B	10k Ω type II thermistor
TE-WSS-C	3k Ω thermistor
TE-WSS-D	PT100 Ω RTD
TE-WSS-E	PT1000 Ω RTD
TE-WSS-F	20k Ω thermistor

●Resistance vs. Temperature Table: See page 137 (Series TE-OND/RND/OSA)