

TFM223 Series LCD DIGITAL MODULATING THERMOSTAT

SPECIFICATION DATA



Application

The new TFM223 series LCD thermostats are designed for modulating control valve, and fan in 2-pipe application.

The thermostat operates a modulating valve to provide control at the desired setpoint temperature.

Fan-coil thermostat models are available with constant fan operation, and have a three-speed switch comes with low, medium and high settings.

The TFM223KNM/U is available in Modbus RTU protocol and can be easily integrated into building automation system.

The TFM223NNFH/U is model without 3 speed fan contact, which commonly use for simple modulating control in AHU application.

Features

- RS485 interface in Modbus RTU slave mode
- New attractive modern styling design makes the thermostat harmonized with any interior decoration.
- All in one design, easier to install or service. FUZZY logic design, easier to operate.
- Easy-to-see LCD screen. 3-Speed Fan Controls.
- Heat/Cool mode adjustable.
- °C or °F selectable.
- Ability to display temperature sensor failure for easier troubleshooting.
- Suitable for use with Honeywell all series modulating control valves.

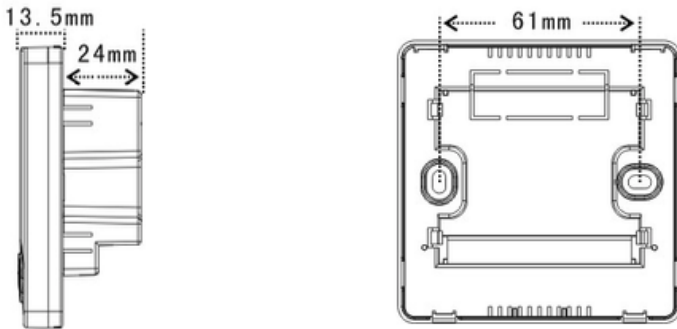
Specifications

Power Rating:	90~264Vac / 50~60Hz
Setpoint ranges:	5 ~ 45°C (or 41 ~ 113°F, step 1°C/°F)
Display ranges:	0 ~ 60.0°C (step 0.1 °C)
Accuracy:	±0.5°C (at 25°C) ±1°C (at 21°C)
Control:	Modulating
Output Signal	0-10Vdc
Electrical Rating:	For Fan Current 5(2)A 5A: When the load of the thermostat is resistance 2A: When the load of the thermostat is inductance
Remote temperature sensor:	NTC 10k
Auto Cycle Time:	Greater than 100,000 cycles (all loads)
Manual Cycle Time:	Greater than 10,000 operations for all manually operating switches.
Mounting:	86x86 mm junction box (hole pitch 60mm) or a 85x85mm junction box. Mounting screws supplied.
Wiring:	4 or 7 screw –in terminals per unit, capable of accepting 18~26AWG wires per terminal.
Environmental requirements:	Operating temperature range 5 to 45°C. Shipping and storage temperature range -20 to 55°C. Humidity range 5 to 95% RH, non-condensing at 26°C.

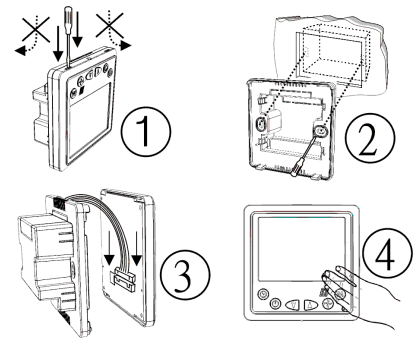
Table 1. Model Selection Guide

OS#	Application	Mounting	Switches		Supply Voltage
			Modulating (0-10Vdc)	3-Speed Fan	Vac±10%, 50/60Hz
TFM223NNFH/U	Modulating output, remote sensor terminal, high accuracy thermostat. (without 3-speed fan output)	86 Box	Yes	NIL	90-240Vac
TFM223KN/U	modulating with 3 fan speeds, with occupancy mode, remote sensor terminal, high accuracy thermostat	86 Box	Yes	Yes	90-240Vac
TFM223KNM/U	Modbus modulating with 3 fan speeds, with occupancy mode, remote sensor terminal, high accuracy thermostat	86 Box	Yes	Yes	90-240Vac
TFM223KNB/U	BACnet modulating with 3 fan speeds, with occupancy mode, remote sensor terminal, high accuracy thermostat	86 Box	Yes	Yes	90-240Vac

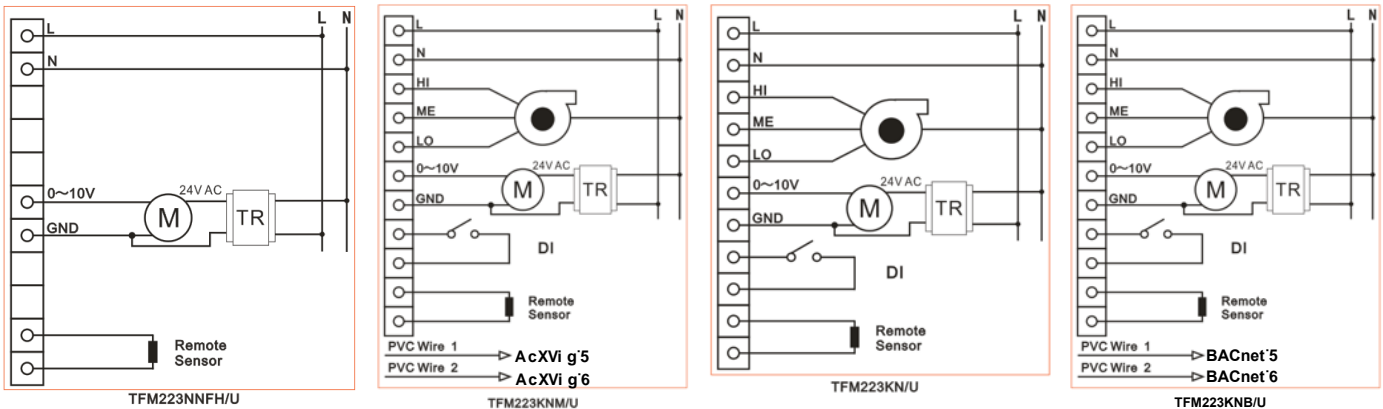
Dimensions (in mm)



Installations



Wiring



Honeywell Building Technologies
Honeywell International Sdn Bhd.

Subject to change without notice. Printed in ASEAN